

65X51-K-AQUA

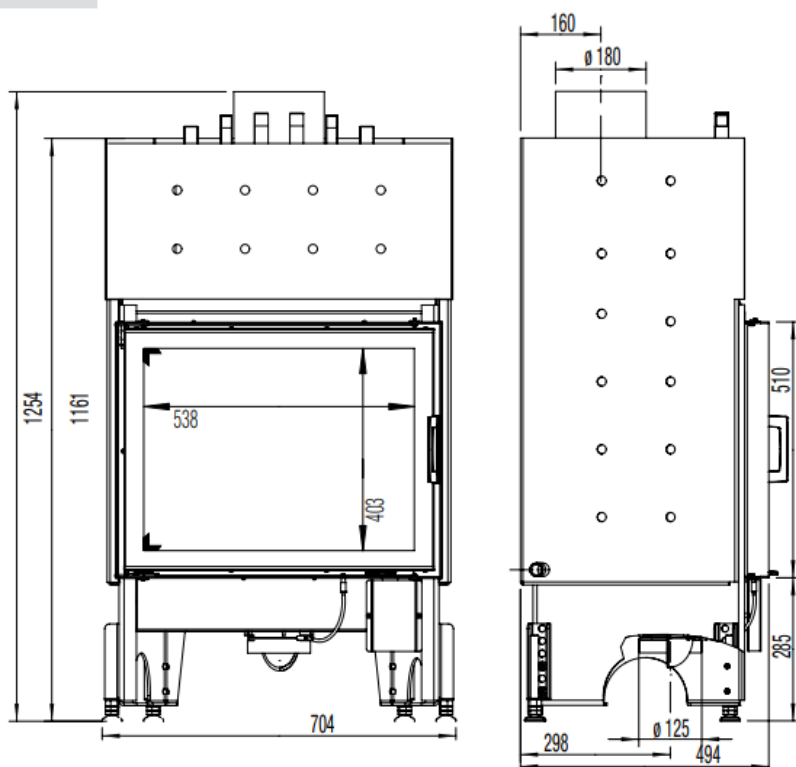


AUSTROFLAMM

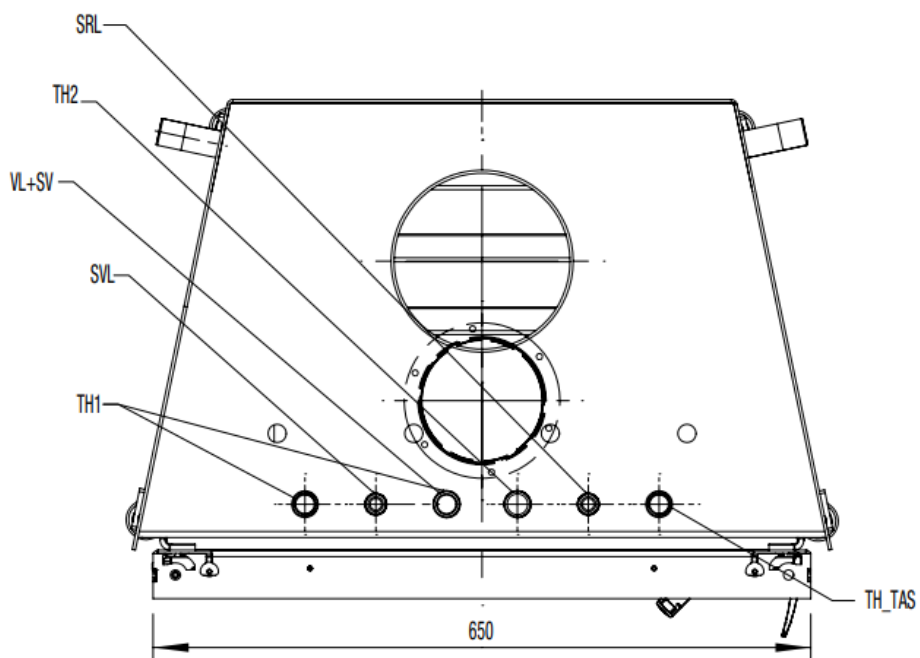


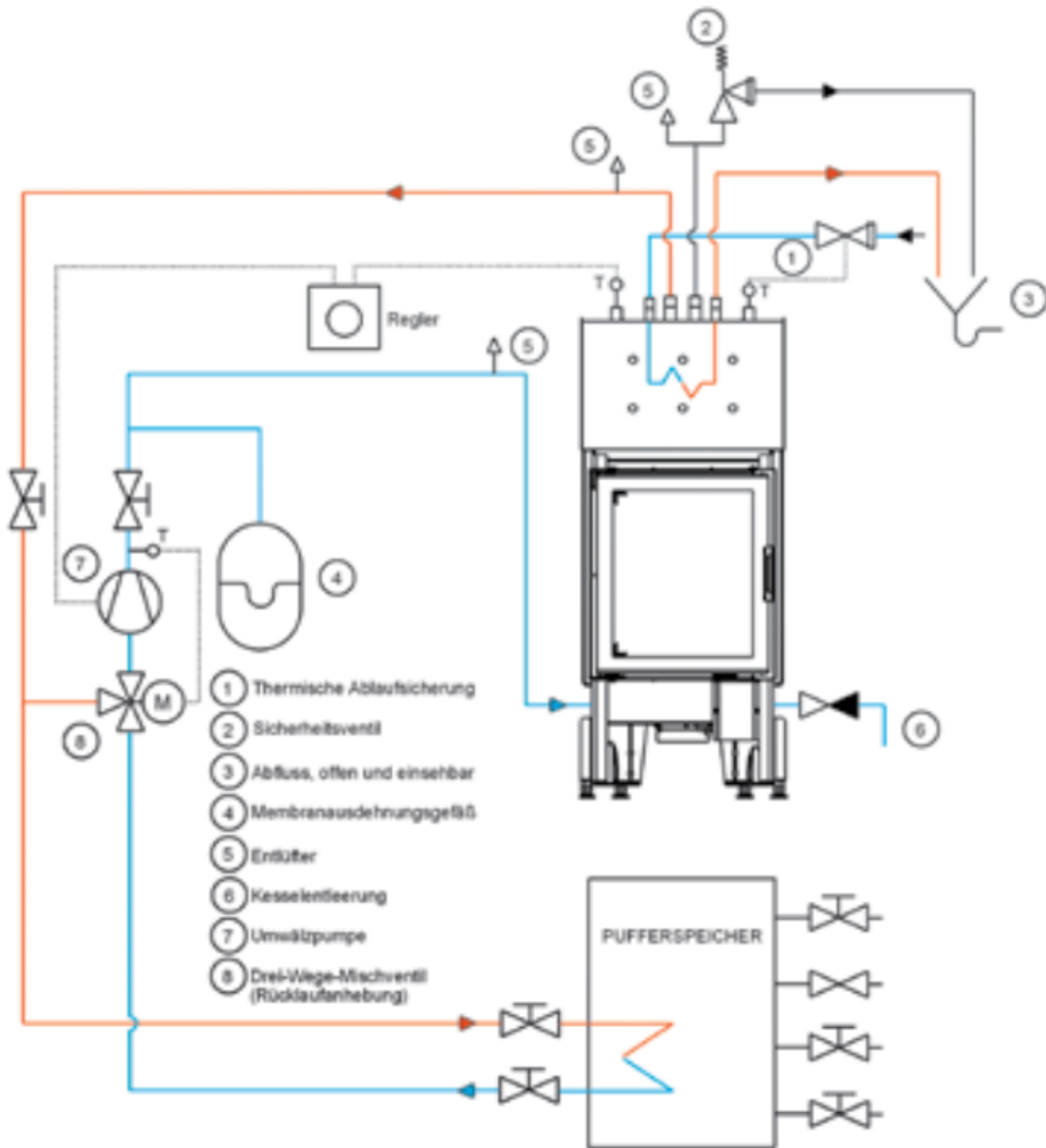
www.austroflamm.com

Maßstab 1:20



Maßstab 1:10





DIMENSIONS AND WEIGHTS

Height [mm]	1254-1454
Width [mm]	704
Depth [mm]	494
Weight [kg]	202
Width (body installation dimension) [mm]	650
Door frame, height [mm]	510
Flue pipe outlet, diameter [mm]	180
Insulation layer thicknesses to the installation floor [mm] (Promasil 950 KS)	0
Insulation layer thicknesses lateral / rear [mm] (Promasil 950 KS)	40
Insulation layer thicknesses to the ceiling [mm] (Promasil 950 KS)	40
Ceramic flues - max. length [m]	x

HEAT OUTPUT

Nominal heat efficiency [kW] lt. EN test EN 13229	12.5 (75% water)
Heat output, minimum [kW] / Maximum heat output [kW]	6-17
Energy efficiency category	A+
Circulating air cross-section without / with metal secondary heating surface [cm ²]	700
Water nominal heat efficiency [kW]	9.2
Air nominal heat efficiency [kW]	3.3
Permissible max. operating pressure [bar]	3,
Permissible max. flow temperature [°C]	105
Safety heat exchanger permissible max. operating pressure [bar]	10
Water content[l]	49
Connections, flow / return ["]	3/4

FEATURES

Hinged doors	yes
Double pane	x

DATA FOR THE CHIMNEY SWEEP

Total flue gas flow [g/s]	12.2
Flue gas temperature [°C]	265
Minimum feed pressure at nominal heat efficiency [Pa]	12