

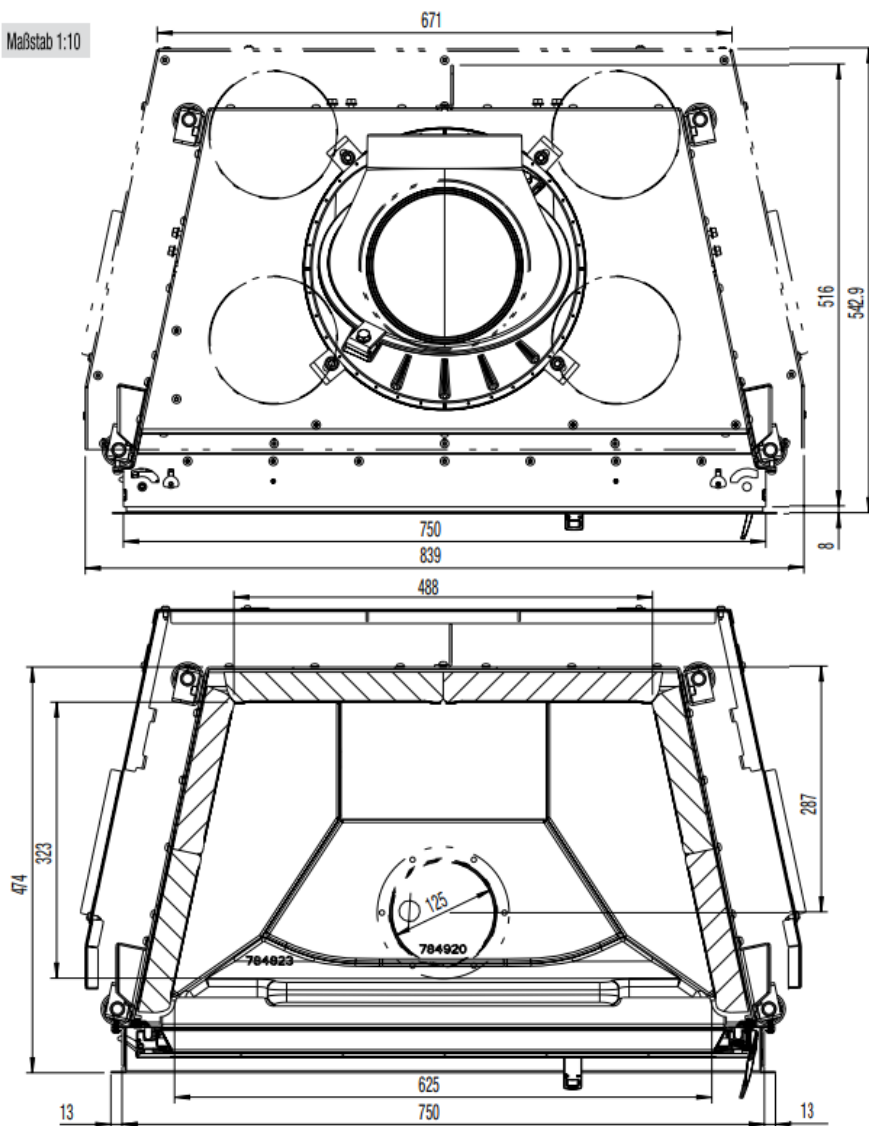
75X39-K 2.0



[www.austroflamm.com](http://www.austroflamm.com)

# 75X39-K 2.0

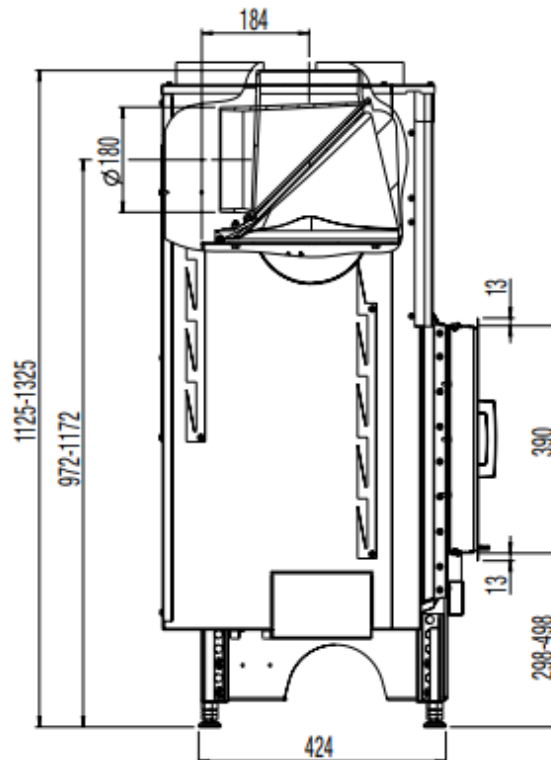
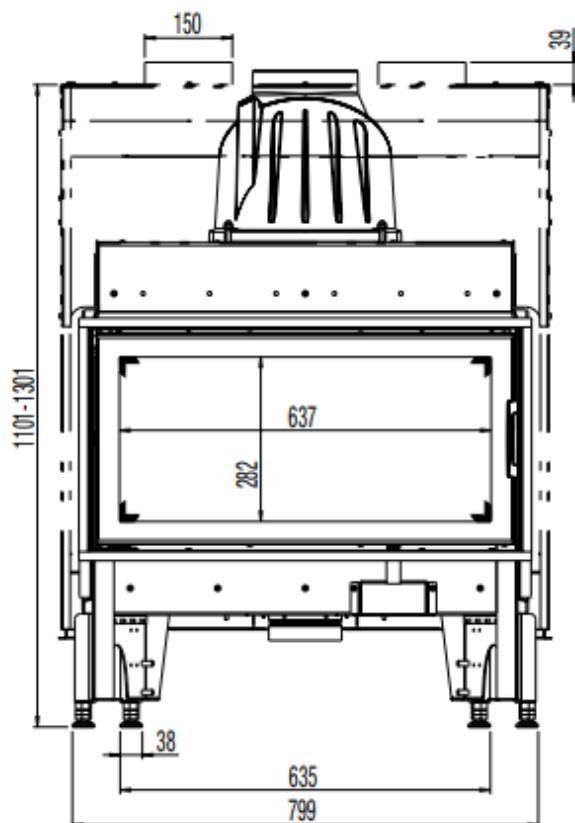
Maßstab 1:10



o standard

Z Accessories

- not available



## DIMENSIONS AND WEIGHTS

Height [mm]	1125-1325
Width [mm]	839
Depth [mm]	516
Weight [kg]	118
Width (body installation dimension) [mm]	750
Door frame, height [mm]	390
Flue pipe outlet, diameter [mm]	180
Insulation layer thicknesses to the installation floor [mm] (Promasil 950 KS)	60
Insulation layer thicknesses lateral / rear [mm] (Promasil 950 KS)	120
Insulation layer thicknesses to the ceiling [mm] (Promasil 950 KS)	120
Ceramic flues - max. length [m]	4

## HEAT OUTPUT

Nominal heat efficiency [kW] lt. EN test EN 13229	10
Heat output, minimum [kW] / Maximum heat output [kW]	5-14
Energy efficiency category	A+
Circulating air cross-section without / with metal secondary heating surface [cm <sup>2</sup> ]	700/1300

## FEATURES

Hinged doors	yes
Double pane	x

## DATA FOR THE CHIMNEY SWEEP

Total flue gas flow [g/s]	8.13
Flue gas temperature [°C]	313
Minimum feed pressure at nominal heat efficiency [Pa]	12