

65X51-S-2.0



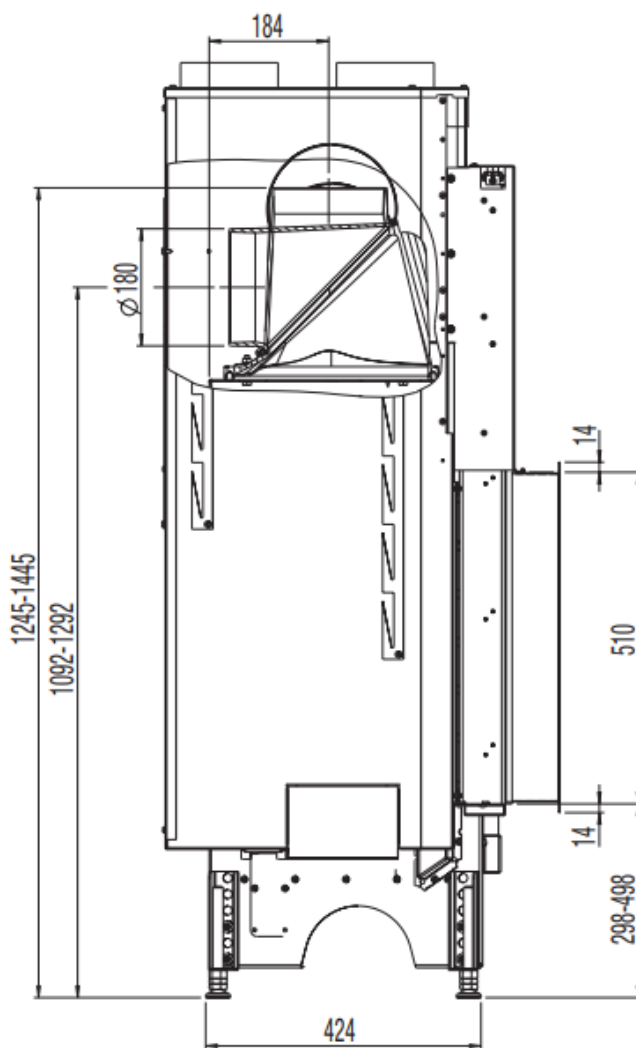
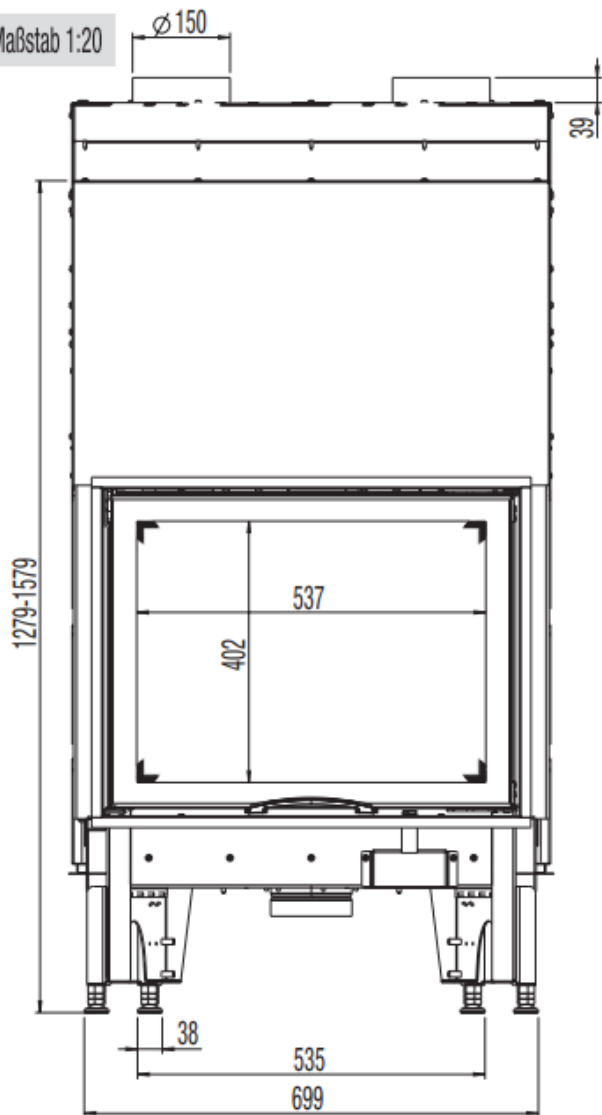
[www.austroflamm.com](http://www.austroflamm.com)

# 65X51-S-2.0



AUSTROFLAMM

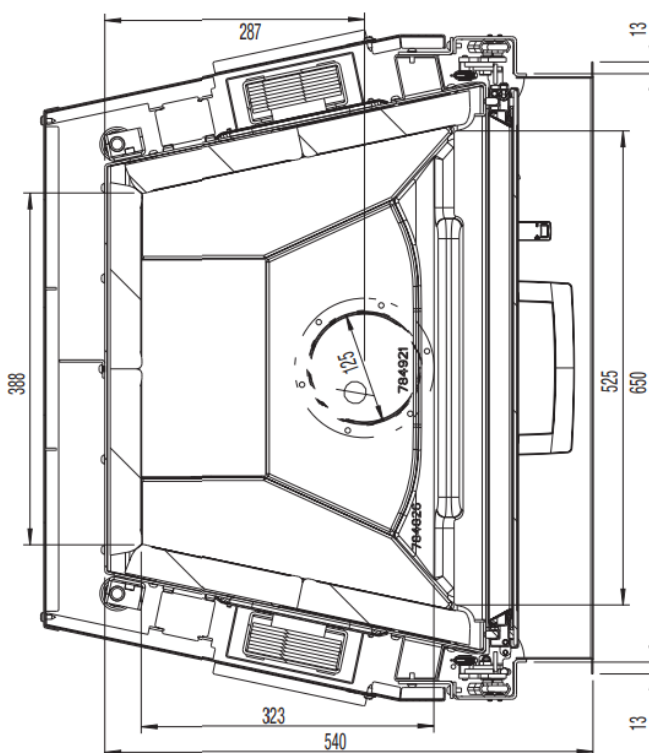
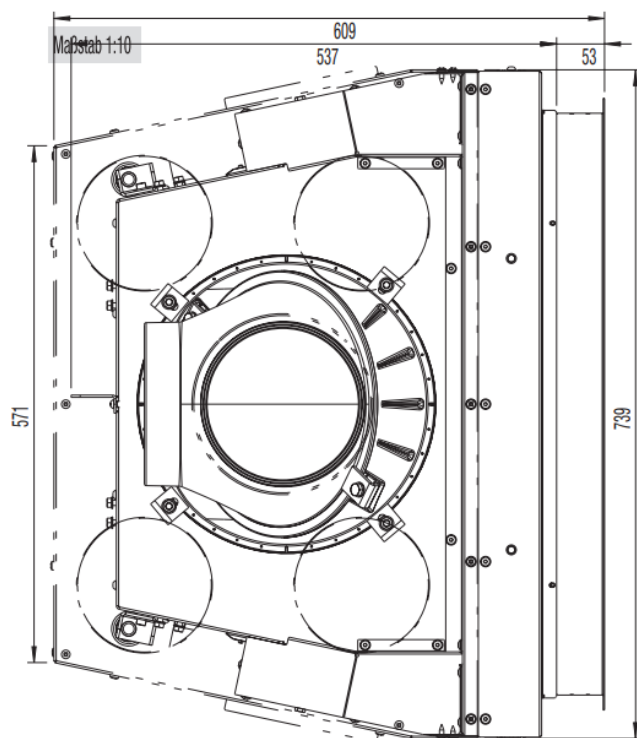
Maßstab 1:20



o standard

Z Accessories

- not available



### DIMENSIONS AND WEIGHTS

Height [mm]	1245-1445
Width [mm]	739
Depth [mm]	537
Weight [kg]	168
Width (body installation dimension) [mm]	650
Door frame, height [mm]	510
Flue pipe outlet, diameter [mm]	180
Insulation layer thicknesses to the installation floor [mm] (Promasil 950 KS)	60
Insulation layer thicknesses lateral / rear [mm] (Promasil 950 KS)	90
Insulation layer thicknesses to the ceiling [mm] (Promasil 950 KS)	90
Ceramic flues - max. length [m]	4

### HEAT OUTPUT

Nominal heat efficiency [kW] lt. EN test EN 13229	8
Heat output, minimum [kW] / Maximum heat output [kW]	4-11
Energy efficiency category	A+
Circulating air cross-section without / with metal secondary heating surface [cm <sup>2</sup> ]	700/1000

### FEATURES

Double pane	x
Sliding door	yes

### DATA FOR THE CHIMNEY SWEEP

Total flue gas flow [g/s]	7.74
Flue gas temperature [°C]	298
Minimum feed pressure at nominal heat efficiency [Pa]	12