

75X57-S-2.0

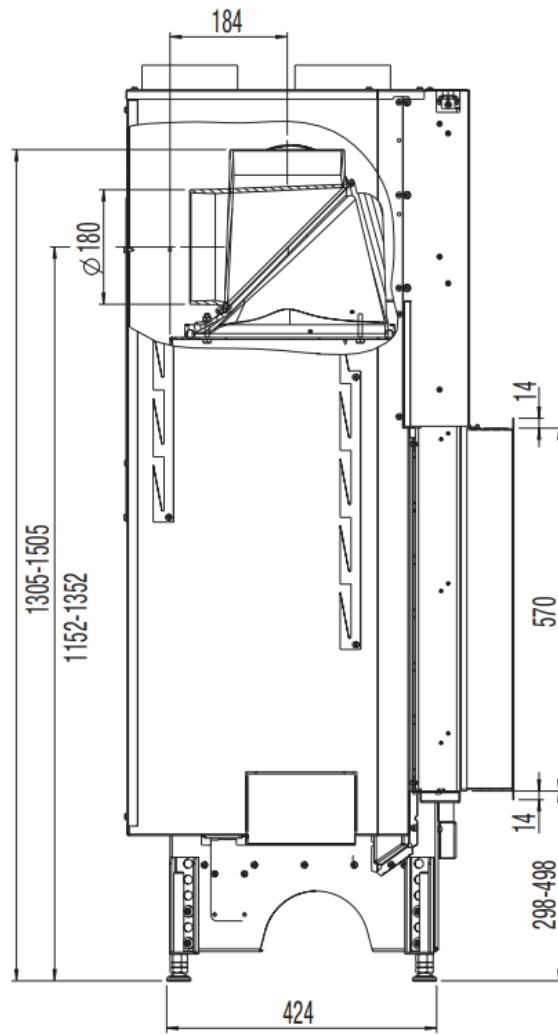
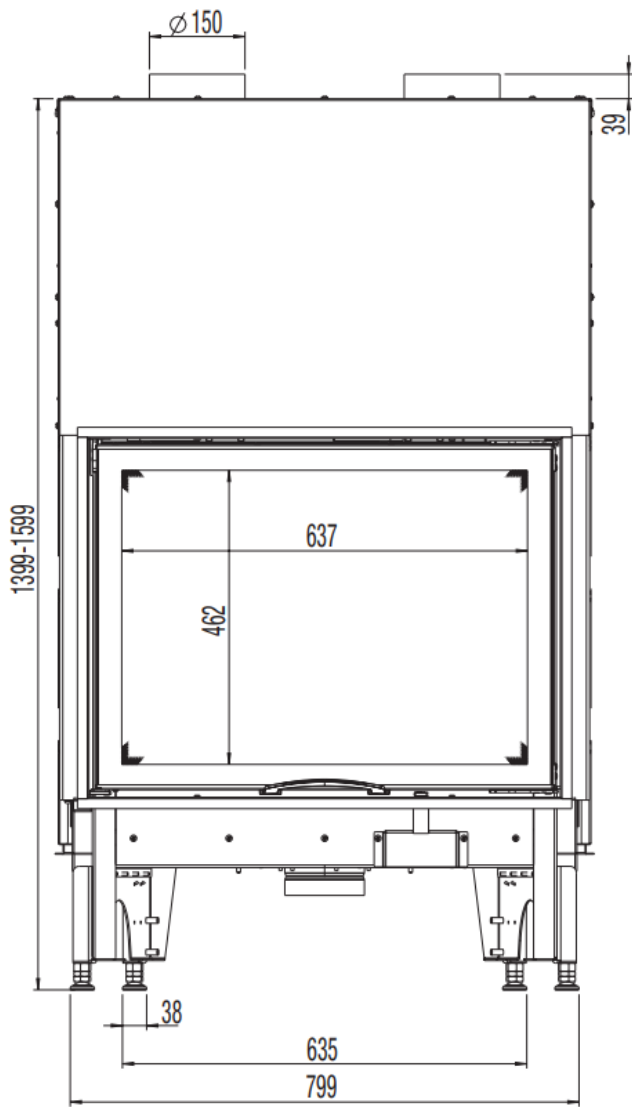


www.austroflamm.com

75X57-S-2.0



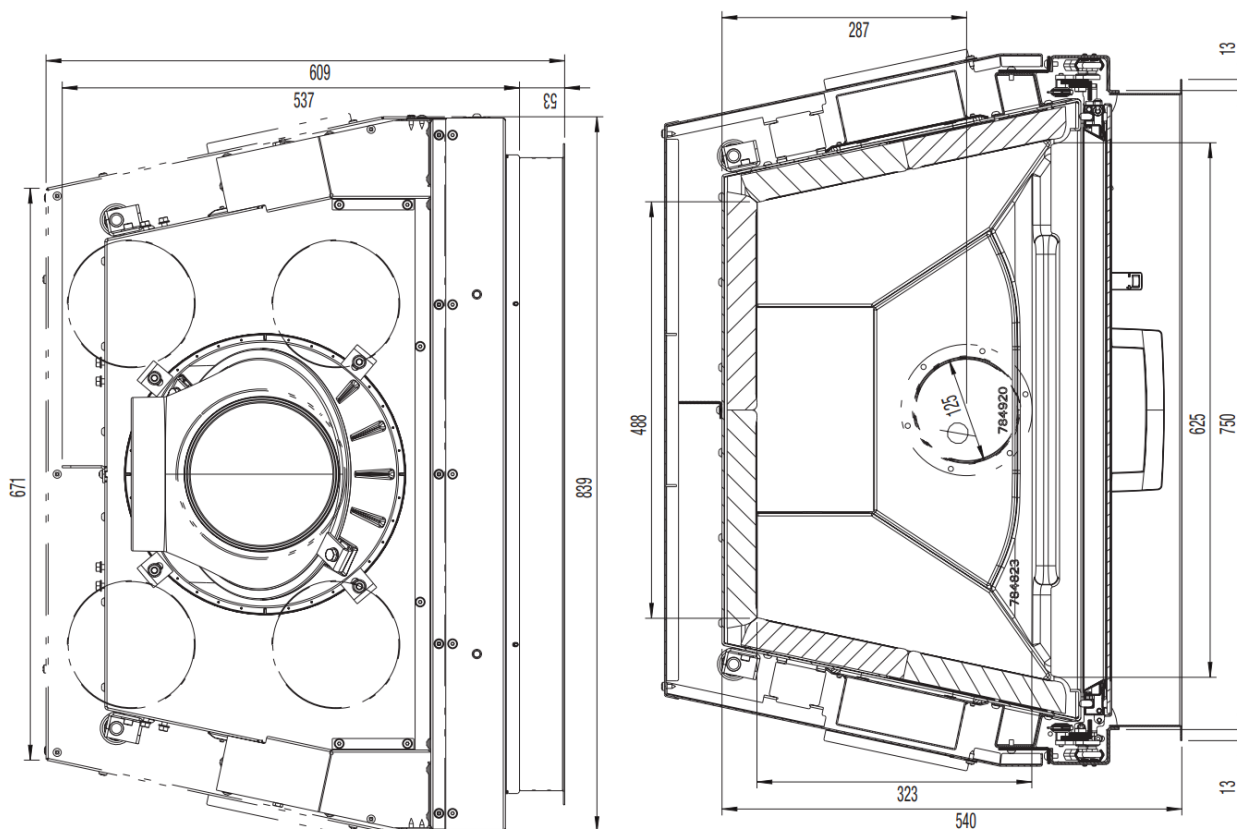
AUSTROFLAMM



o standard

Z Accessories

- not available



DIMENSIONS AND WEIGHTS

Height [mm]	1339-1539
Width [mm]	839
Depth [mm]	537
Weight [kg]	194
Width (body installation dimension) [mm]	750
Door frame, height [mm]	570
Flue pipe outlet, diameter [mm]	180
Insulation layer thicknesses to the installation floor [mm] (Promasil 950 KS)	60
Insulation layer thicknesses lateral / rear [mm] (Promasil 950 KS)	120
Insulation layer thicknesses to the ceiling [mm] (Promasil 950 KS)	120
Ceramic flues - max. length [m]	4

HEAT OUTPUT

Nominal heat efficiency [kW] lt. EN test EN 13229	10
Heat output, minimum [kW] / Maximum heat output [kW]	5-14
Energy efficiency category	A+
Circulating air cross-section without / with metal secondary heating surface [cm ²]	700/1300

FEATURES

Double pane	X
Sliding door	yes ²

DATA FOR THE CHIMNEY SWEEP

Total flue gas flow [g/s]	7.7
Flue gas temperature [°C]	300
Minimum feed pressure at nominal heat efficiency [Pa]	12