

75X51-S-II-2.0



AUSTROFLAMM

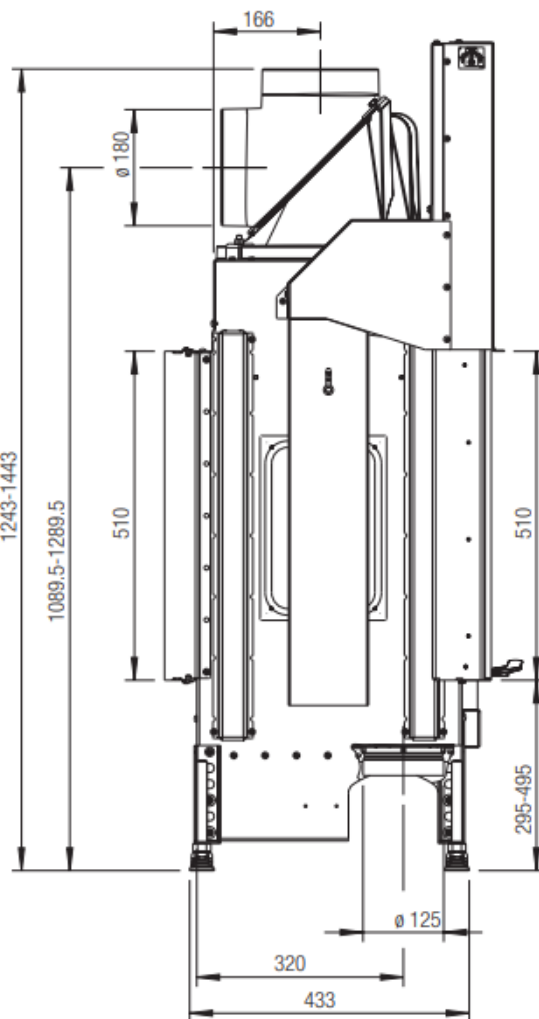
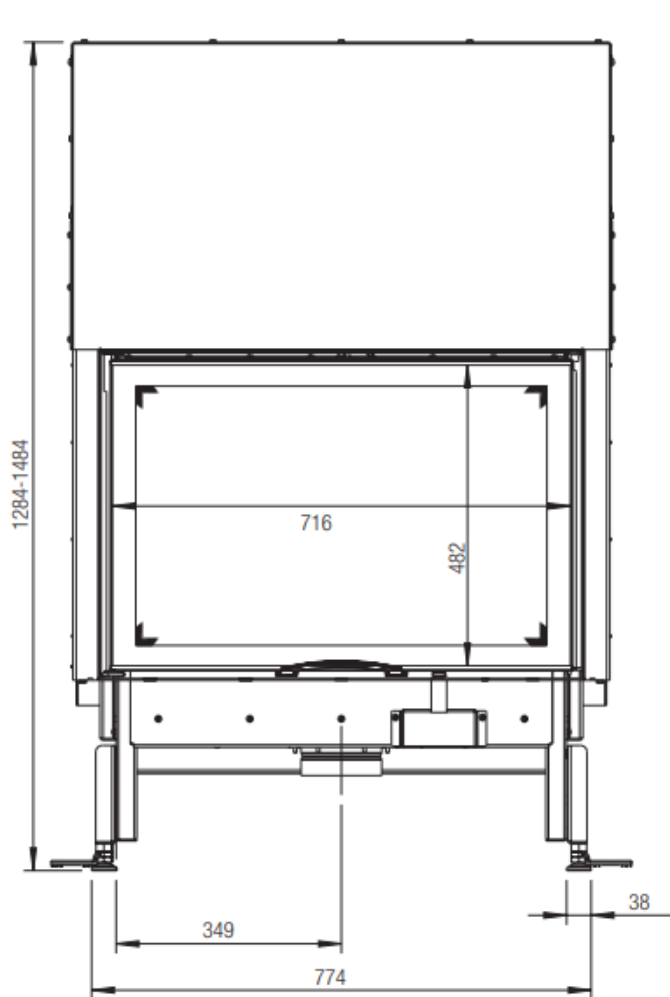


www.austroflamm.com

75X51-S-II-2.0



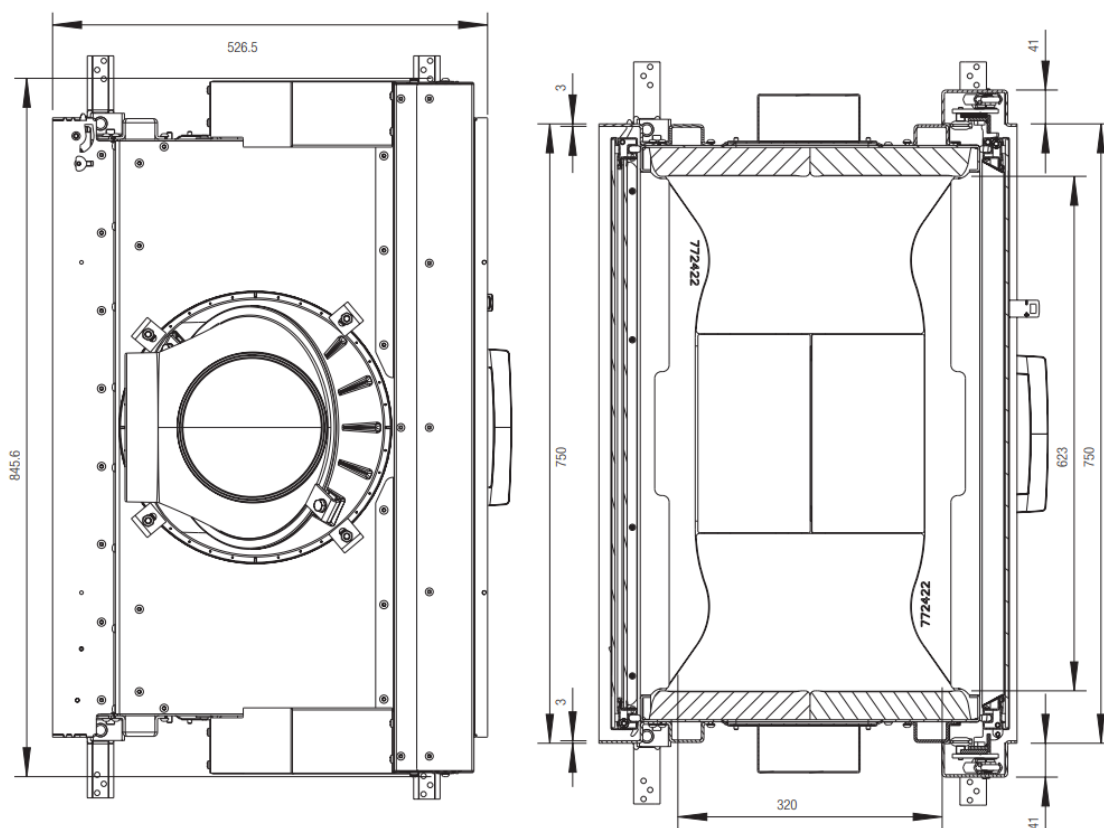
AUSTROFLAMM



o standard

Z Accessories

- not available



DIMENSIONS AND WEIGHTS

Height [mm]	1284-1484
Width [mm]	848
Depth [mm]	527
Weight [kg]	202
Width (body installation dimension) [mm]	750
Door frame, height [mm]	510
Flue pipe outlet, diameter [mm]	180
Insulation layer thicknesses to the installation floor [mm] (Promasil 950 KS)	0
Insulation layer thicknesses lateral / rear [mm] (Promasil 950 KS)	100/-
Insulation layer thicknesses to the ceiling [mm] (Promasil 950 KS)	150
Ceramic flues - max. length [m]	4

HEAT OUTPUT

Nominal heat efficiency [kW] lt. EN test EN 13229	12
Heat output, minimum [kW] / Maximum heat output [kW]	6-17
Energy efficiency category	A+
Circulating air cross-section without / with metal secondary heating surface [cm ²]	700/1300

FEATURES

Double pane	yes
Sliding door	yes

DATA FOR THE CHIMNEY SWEEP

Total flue gas flow [g/s]	13.07
Flue gas temperature [°C]	252
Minimum feed pressure at nominal heat efficiency [Pa]	13