

63X40X51-S-2.0

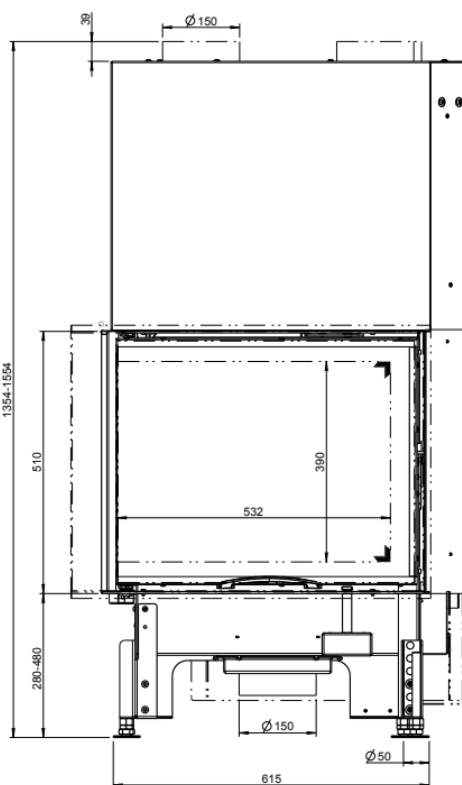
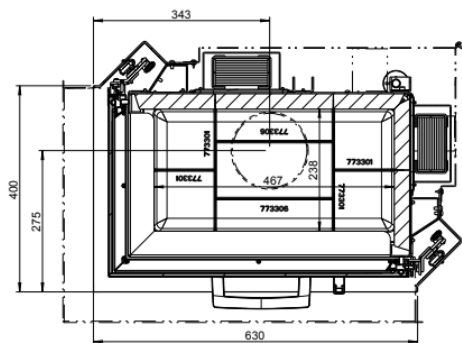
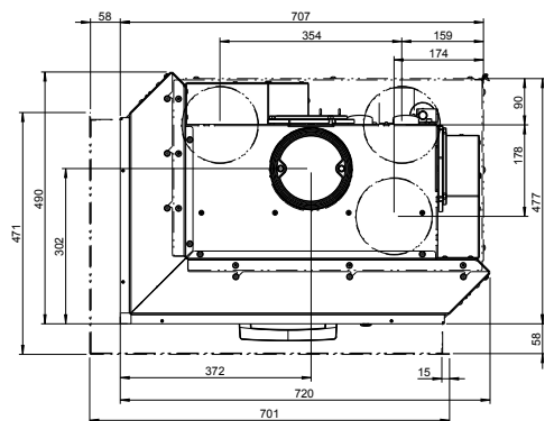
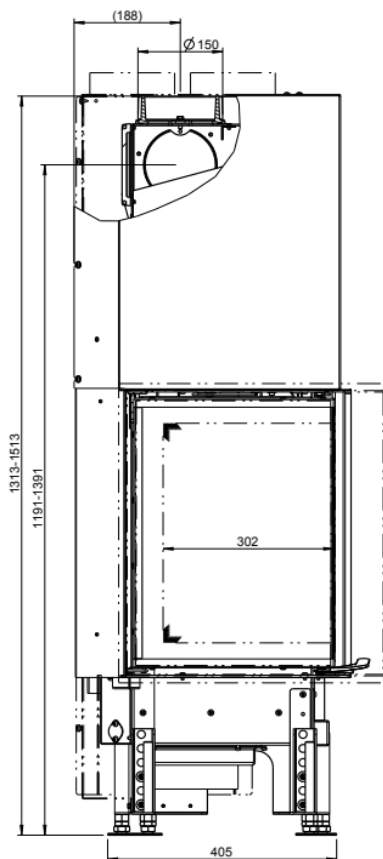


AUSTROFLAMM



www.austroflamm.com

left

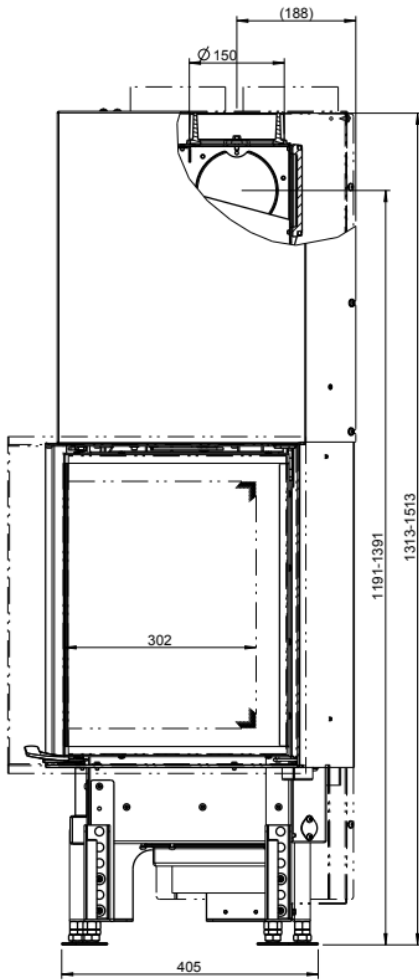


right

o standard

Z Accessories

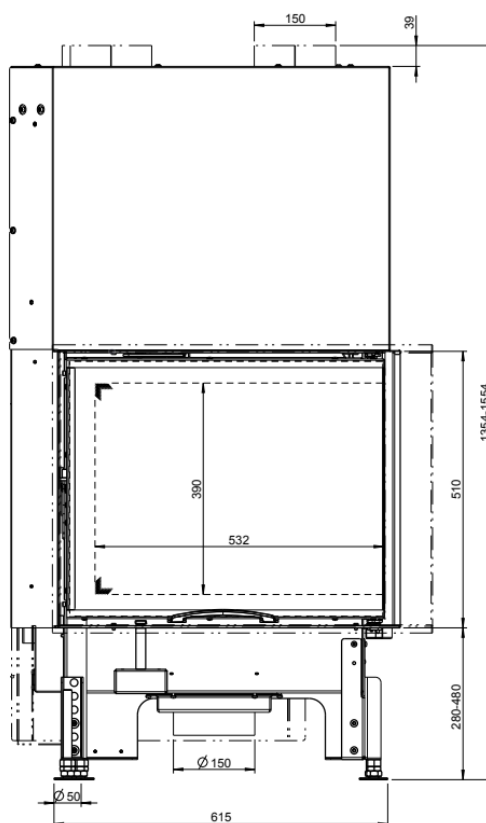
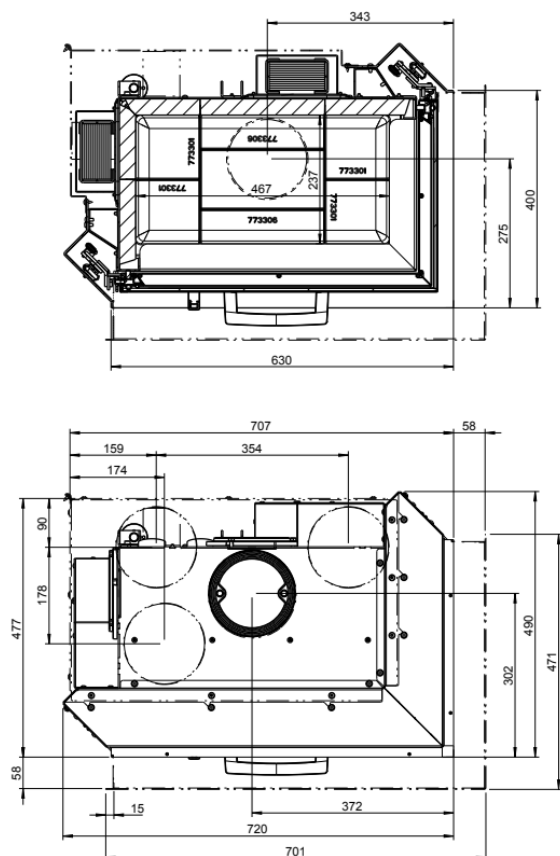
- not available



o standard

Z Accessories

- not available



DIMENSIONS AND WEIGHTS

Height [mm]	1359-1559
Width [mm]	720
Depth [mm]	490
Weight [kg]	185
Width (body installation dimension) [mm]	630
Door frame, height [mm]	510
Flue pipe outlet, diameter [mm]	150
Insulation layer thicknesses to the installation floor [mm] (Promasil 950 KS)	0
Insulation layer thicknesses lateral / rear [mm] (Promasil 950 KS)	100/120
Insulation layer thicknesses to the ceiling [mm] (Promasil 950 KS)	120
Ceramic flues - max. length [m]	4

HEAT OUTPUT

Nominal heat efficiency [kW] lt. EN test EN 13229	12
Heat output, minimum [kW] / Maximum heat output [kW]	4.5-13
Energy efficiency category	A+
Circulating air cross-section without / with metal secondary heating surface [cm ²]	744/1300

FEATURES

Double pane	x
Sliding door	yes

DATA FOR THE CHIMNEY SWEEP

Total flue gas flow [g/s]	12
Flue gas temperature [°C]	283
Minimum feed pressure at nominal heat efficiency [Pa]	10