

69X49X57-S-2.0

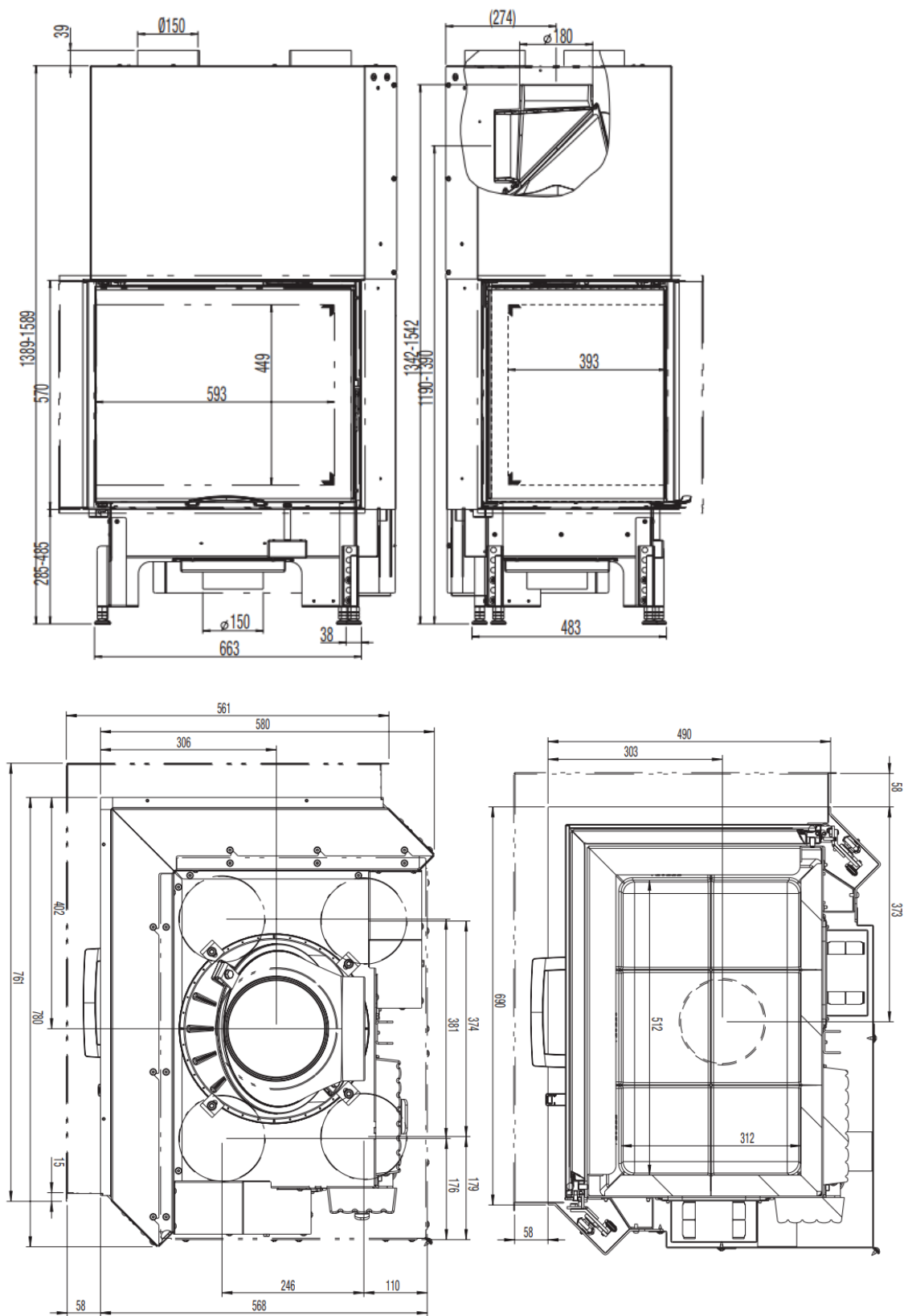


AUSTROFLAMM



www.austroflamm.com

left

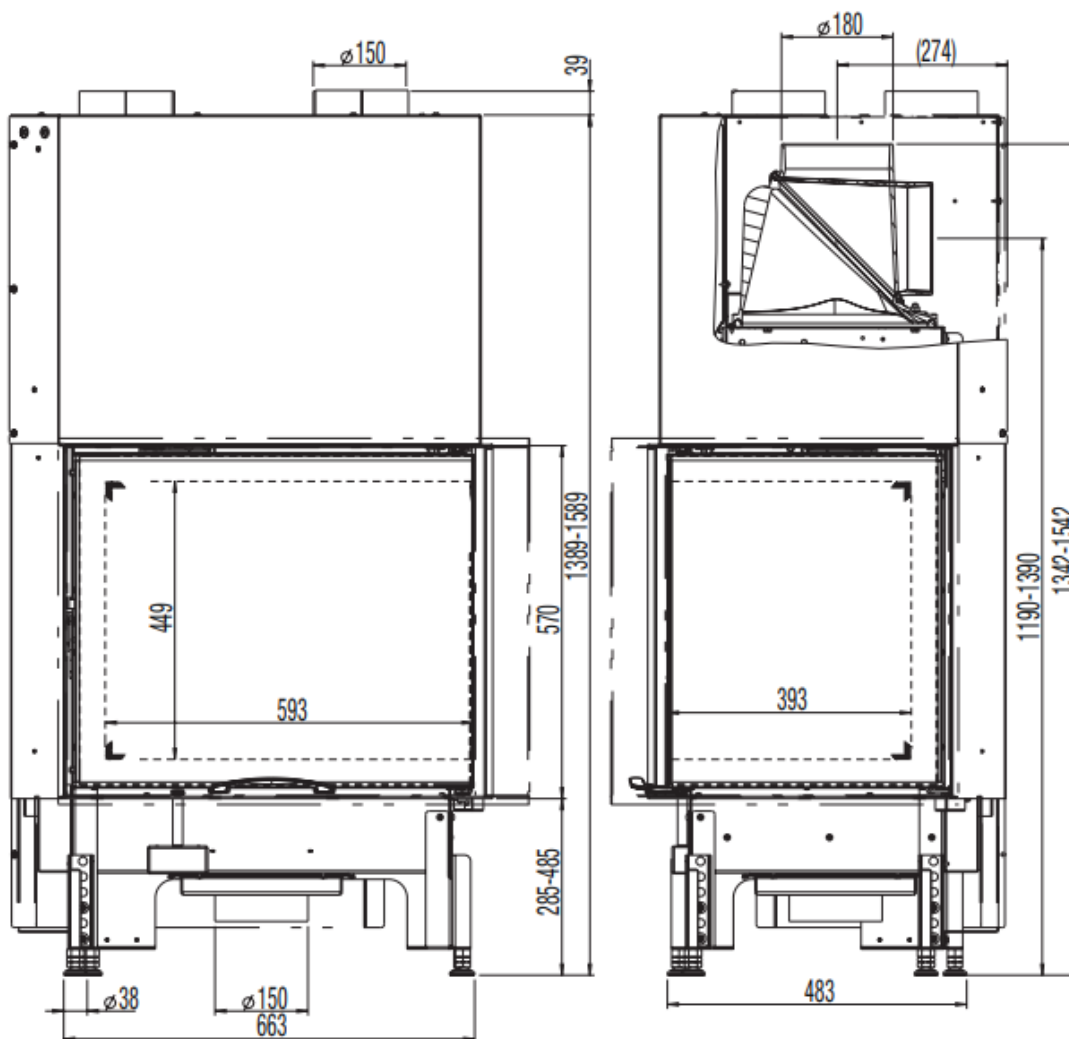


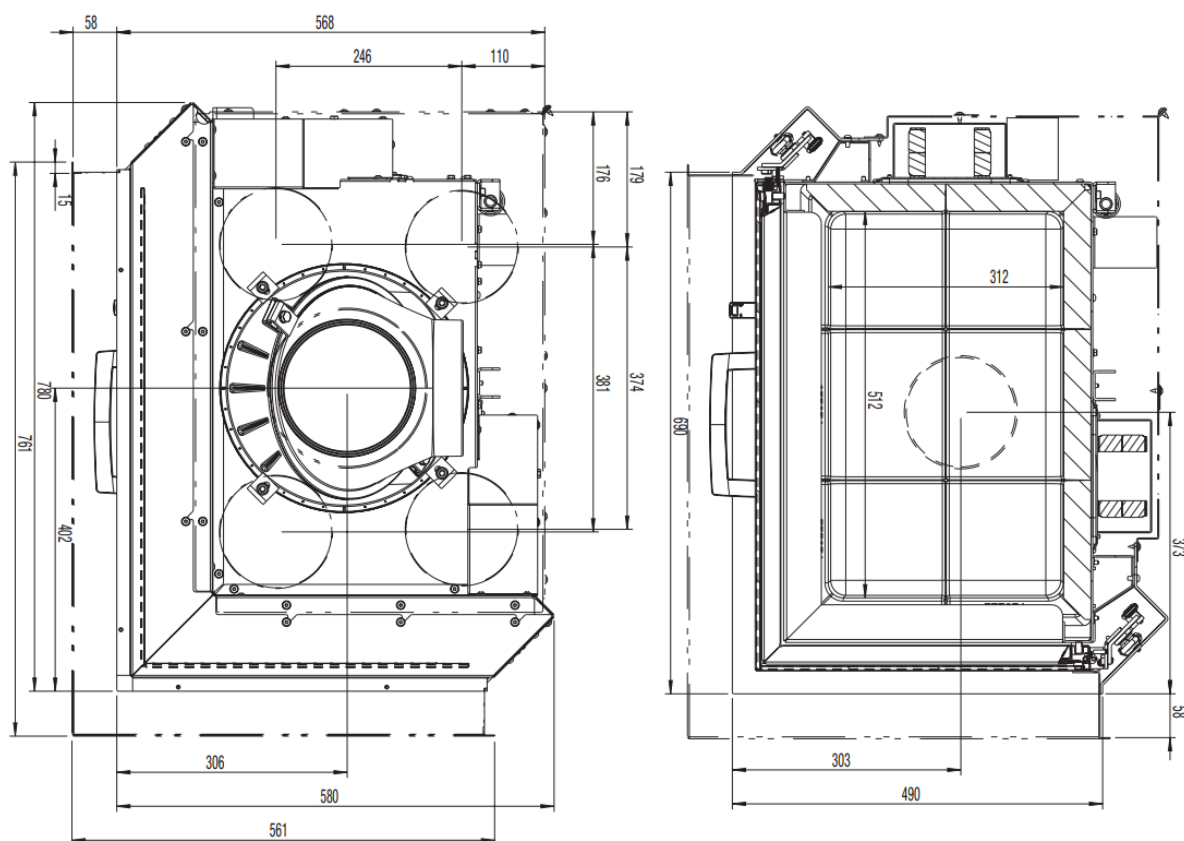
right

o standard

Z Accessories

- not available





DIMENSIONS AND WEIGHTS

Height [mm]	1389-1589
Width [mm]	780
Depth [mm]	580
Weight [kg]	231
Width (body installation dimension) [mm]	690
Door frame, height [mm]	570
Flue pipe outlet, diameter [mm]	180
Insulation layer thicknesses to the installation floor [mm] (Promasil 950 KS)	0
Insulation layer thicknesses lateral / rear [mm] (Promasil 950 KS)	100
Insulation layer thicknesses to the ceiling [mm] (Promasil 950 KS)	120
Ceramic flues - max. length [m]	4

HEAT OUTPUT

Nominal heat efficiency [kW] lt. EN test EN 13229	12
Heat output, minimum [kW] / Maximum heat output [kW]	5-16
Energy efficiency category	A+
Circulating air cross-section without / with metal secondary heating surface [cm ²]	705/1226

FEATURES

Double pane	x
Sliding door	yes

DATA FOR THE CHIMNEY SWEEP

Total flue gas flow [g/s]	12.42
Flue gas temperature [°C]	260
Minimum feed pressure at nominal heat efficiency [Pa]	12