

89X49X45-S-2.0

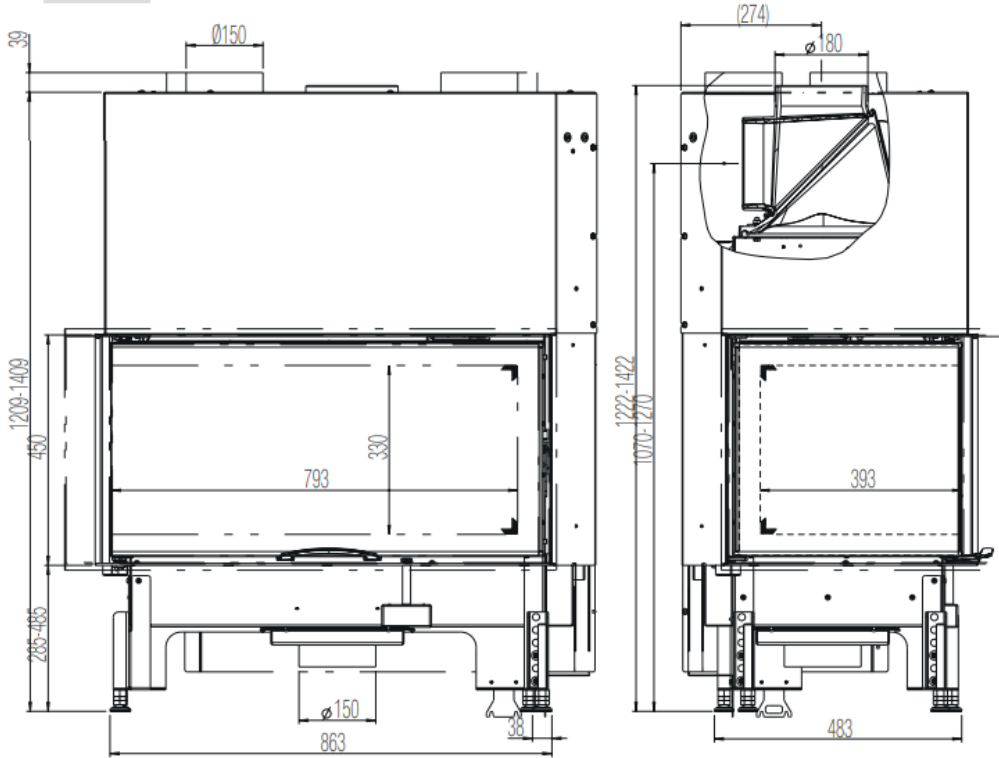


www.austroflamm.com

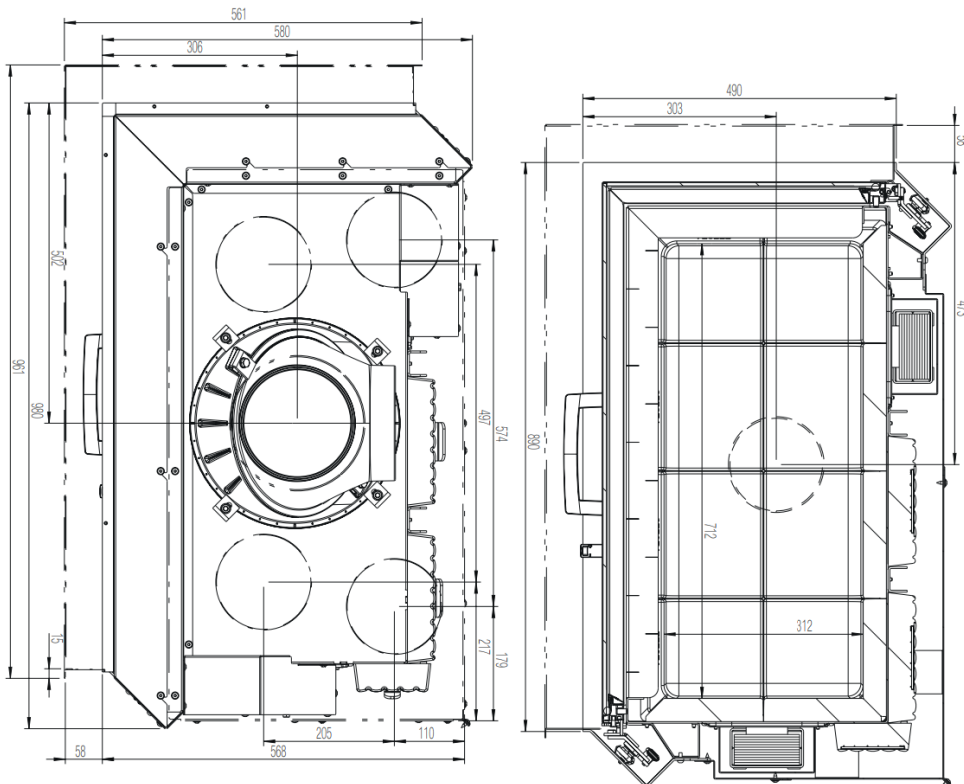


left

Maßstab 1:20



Maßstab 1:10



o standard

Z Accessories

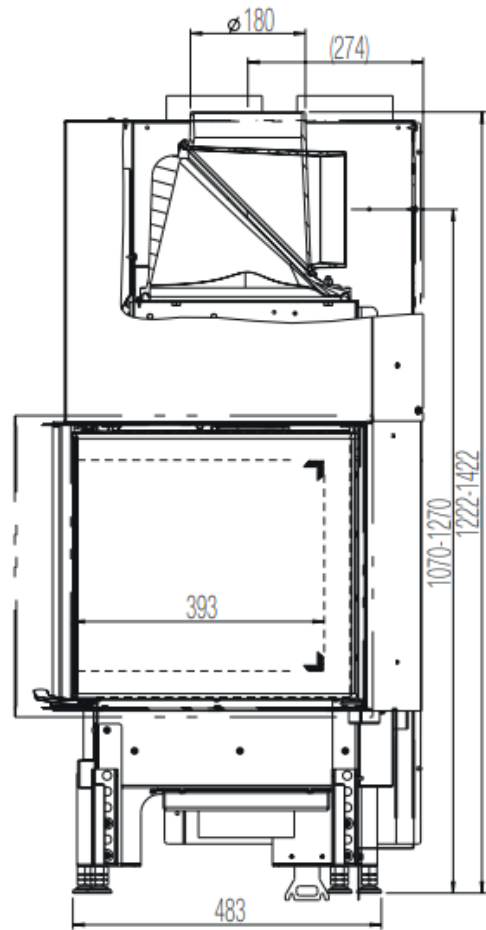
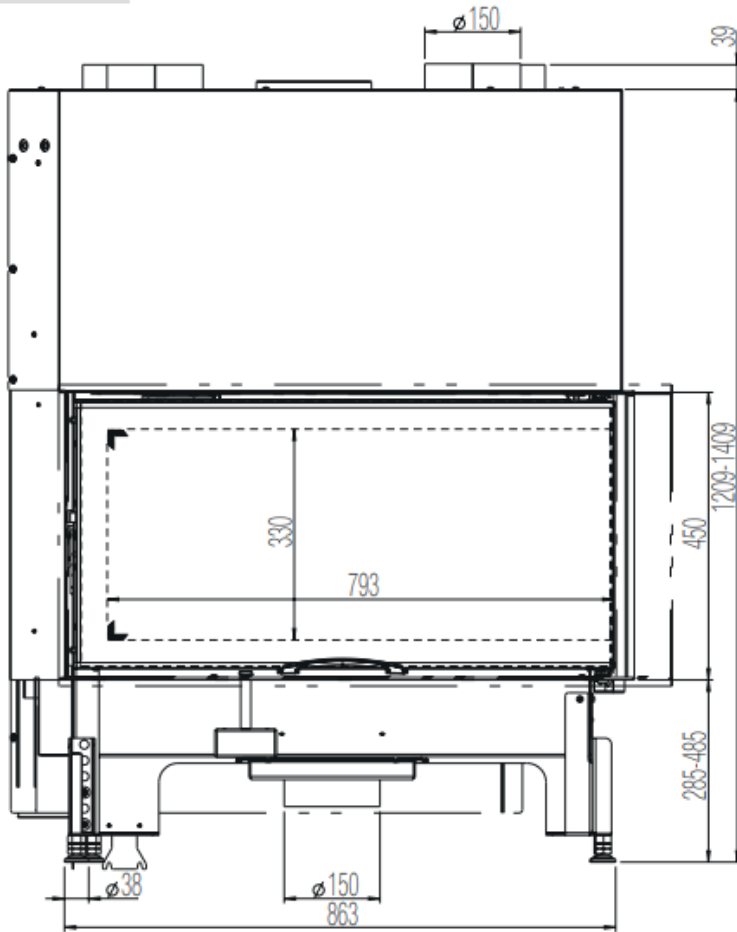
- not available



89X49X45-S-2.0

right

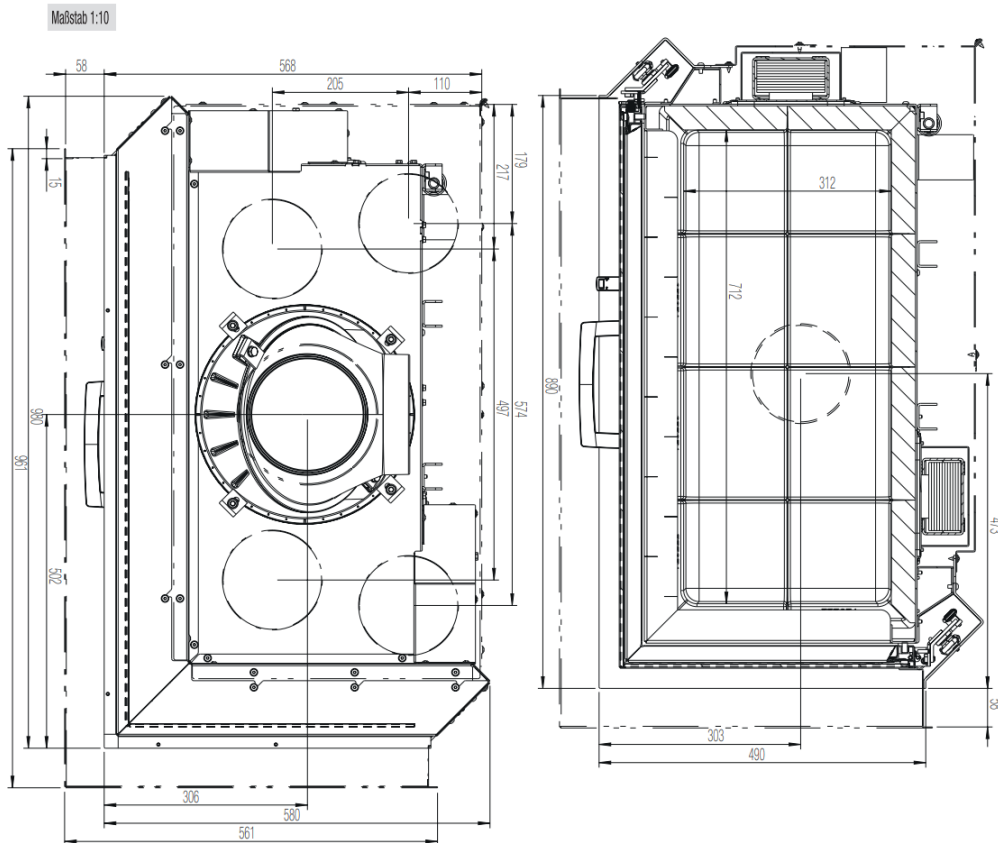
Maßstab 1:20



o standard

Z Accessories

- not available



DIMENSIONS AND WEIGHTS

Height [mm]	1209-1409
Width [mm]	977
Depth [mm]	568
Weight [kg]	216
Width (body installation dimension) [mm]	890
Door frame height [mm]	450
Flue outlet diameter [mm]	180
Insulation layer thicknesses to the installation floor [mm] (Promasil 950 KS)	30
Insulation layer thicknesses lateral / rear [mm] (Promasil 950 KS)	120
Insulation layer thicknesses to the ceiling [mm] (Promasil 950 KS)	120
Ceramic flues - max. length [m]	4

HEAT OUTPUT

Nominal heat efficiency [kW] lt. EN test EN 13229	12
Minimum heat output [kW] / Maximum heat output [kW]	5-16
Energy efficiency category	A
Circulating air cross-section without / with metal secondary heating surface [cm ²]	700/1300

FEATURES

Double pane	x
Sliding door	yes

DATA FOR THE CHIMNEY SWEEP

Total flue gas flow [g/s]	10.2
Flue gas temperature [°C]	297
Minimum feed pressure at nominal heat efficiency [Pa]	12