

89X49X57-S-2.0



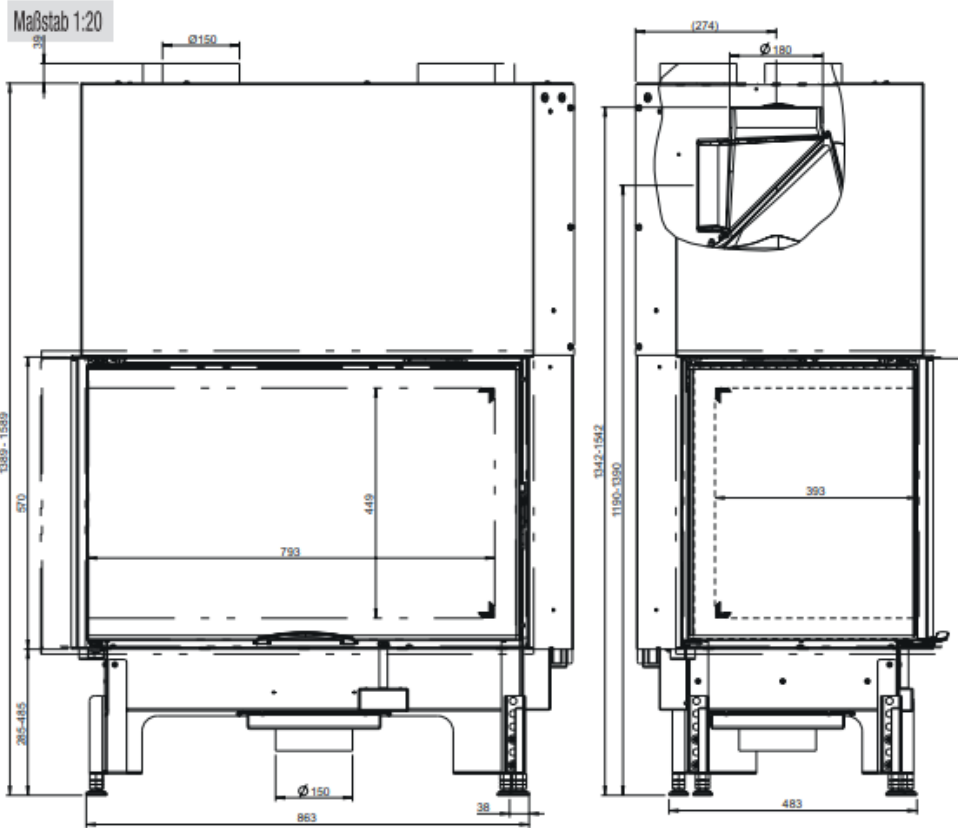
AUSTROFLAMM



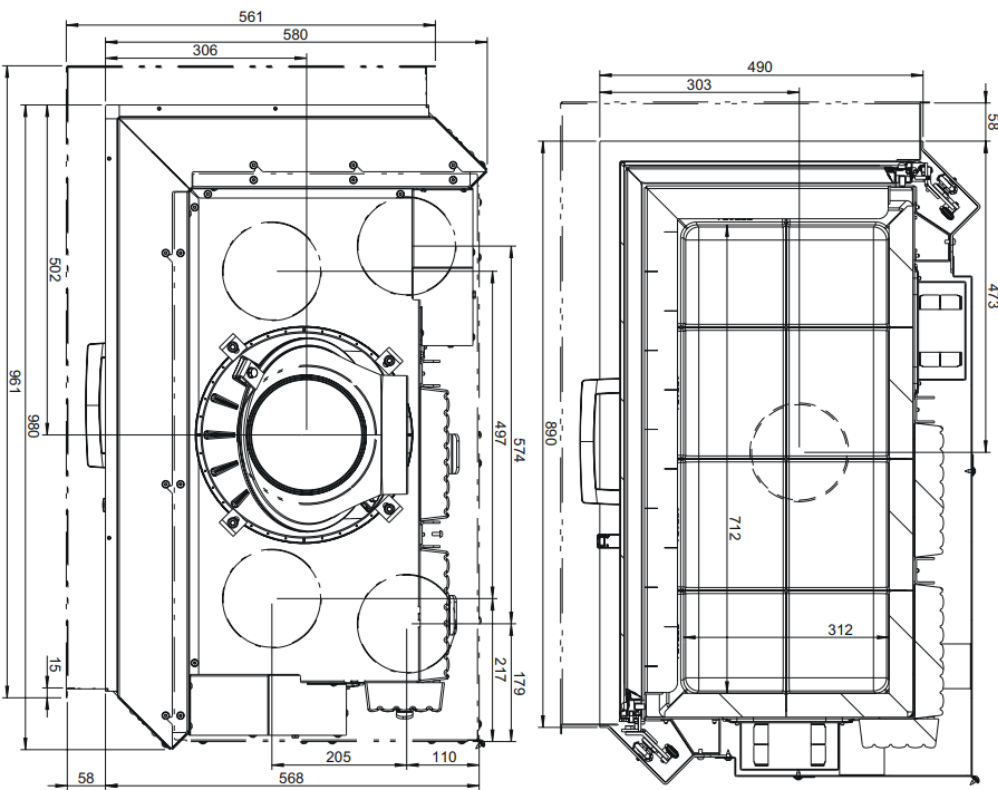
www.austroflamm.com



left



Maßstab 1:10



right

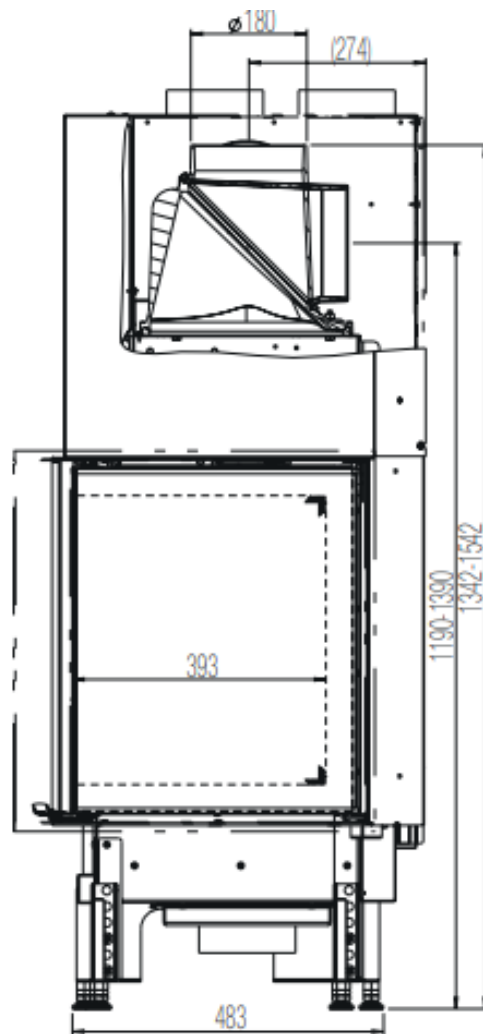
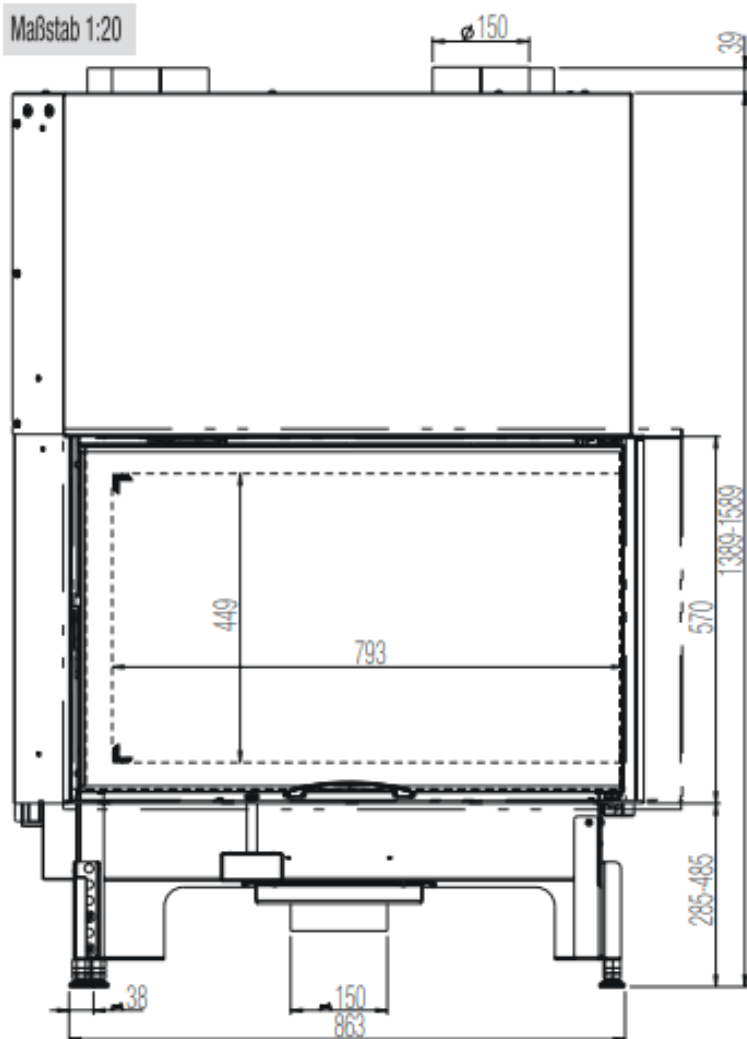
o standard

Z Accessories

- not available

89X49X57-S-2.0

Maßstab 1:20

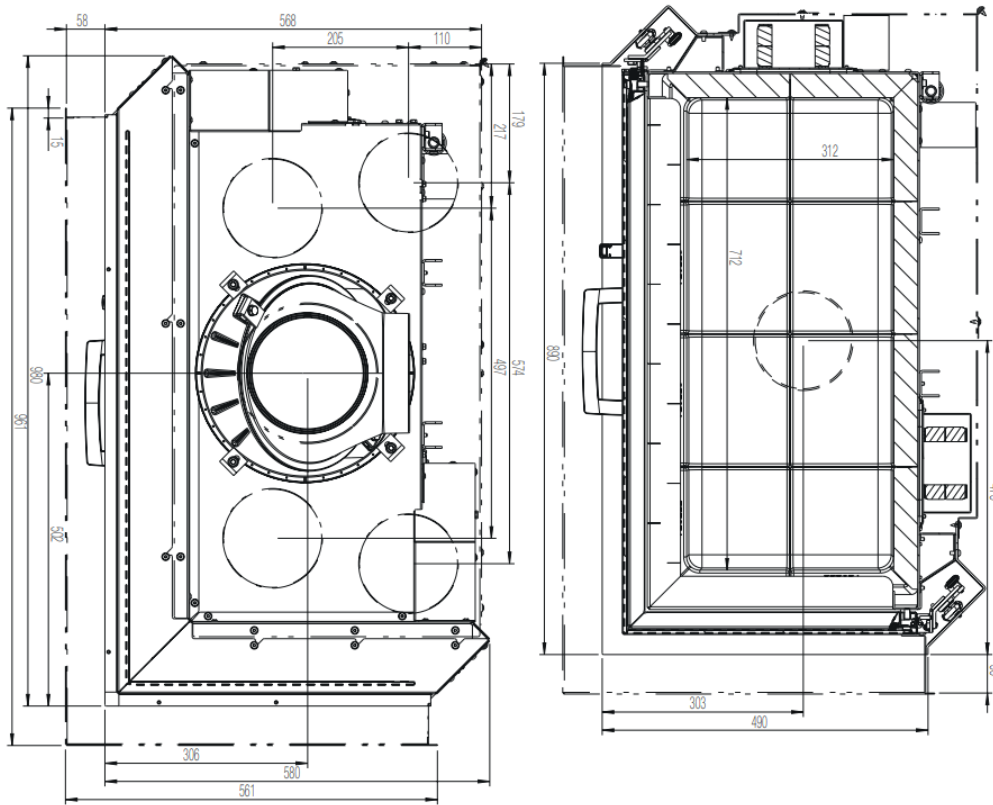


o standard

Z Accessories

- not available

Maßstab 1:10



DIMENSIONS AND WEIGHTS

Height [mm]	1389-1589
Width [mm]	977
Depth [mm]	568
Weight [kg]	222
Width (body installation dimension) [mm]	890
Door frame, height [mm]	570
Flue pipe outlet, diameter [mm]	180
Insulation layer thicknesses to the installation floor [mm] (Promasil 950 KS)	30
Insulation layer thicknesses lateral / rear [mm] (Promasil 950 KS)	120
Insulation layer thicknesses to the ceiling [mm] (Promasil 950 KS)	120
Ceramic flues - max. length [m]	4

HEAT OUTPUT

Nominal heat efficiency [kW] lt. EN test EN 13229	12
Heat output, minimum [kW] / Maximum heat output [kW]	5-16
Energy efficiency category	A
Circulating air cross-section without / with metal secondary heating surface [cm ²]	700/1300

FEATURES

Double pane	x
Sliding door	yes

DATA FOR THE CHIMNEY SWEEP

Total flue gas flow [g/s]	10.2
Flue gas temperature [°C]	307
Minimum feed pressure at nominal heat efficiency [Pa]	12