

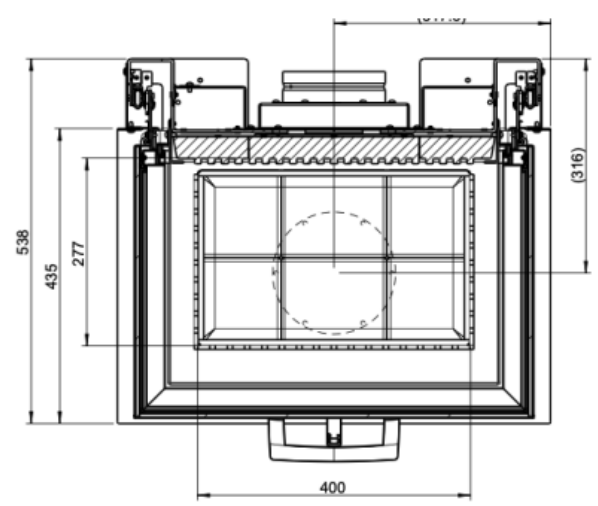
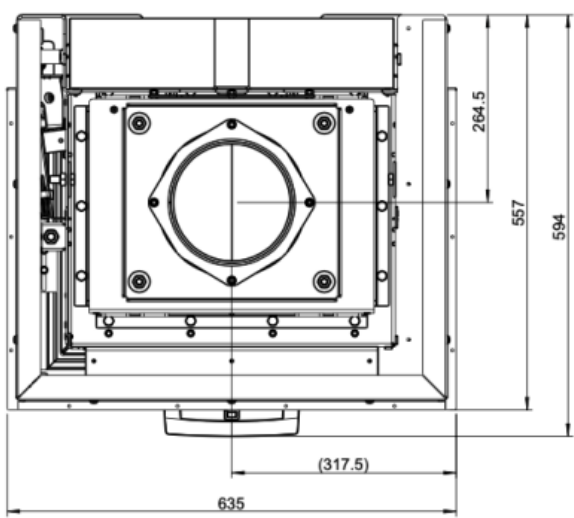
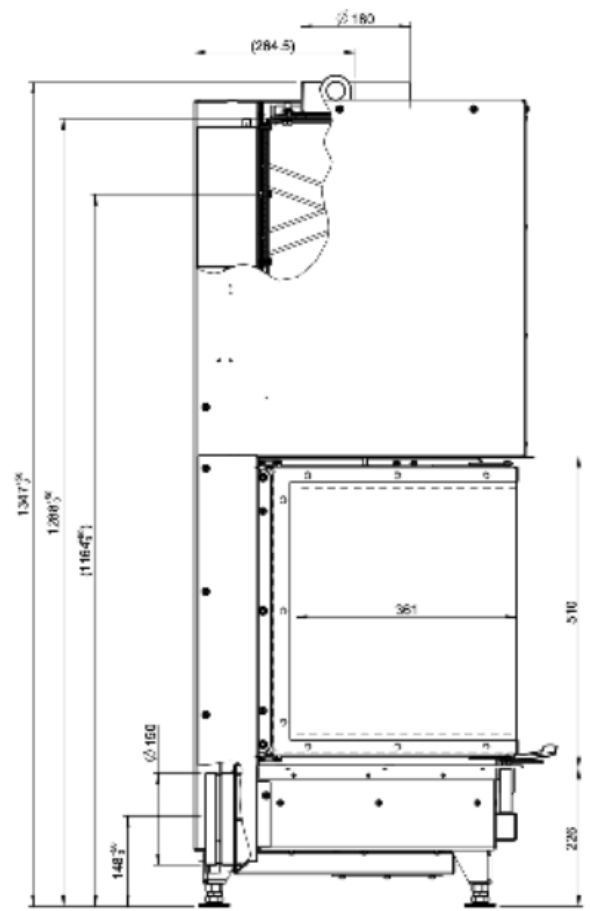
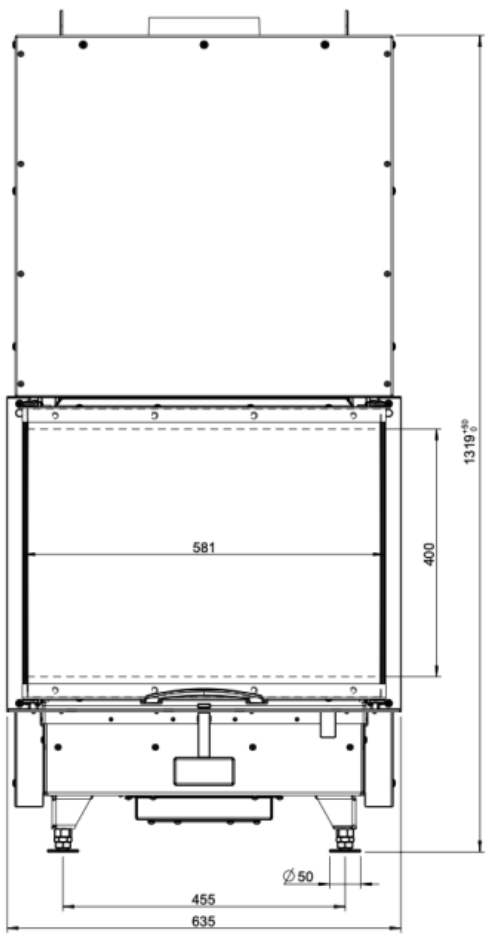
VUUR-DRIE-60



AUSTROFLAMM



[www.austroflamm.com](http://www.austroflamm.com)



## DIMENSIONS AND WEIGHTS

|   |           |
|---|-----------|
| Height [mm]   | 1347-1397 |
| Width [mm]  | 635       |
| Depth [mm]  | 557       |
| Weight [kg]   | 230       |
| Width (body installation dimension) [mm]                                      | 635       |
| Door frame, height [mm]   | 510       |
| Flue pipe outlet, diameter [mm]   | 180       |
| Insulation layer thicknesses to the installation floor [mm] (Promasil 950 KS) | 0         |
| Insulation layer thicknesses lateral / rear [mm] (Promasil 950 KS)            | 0/60      |
| Insulation layer thicknesses to the ceiling [mm] (Promasil 950 KS)            | 0         |
| Ceramic flues - max. length [m]   | -         |

## HEAT OUTPUT

|   |       |
|---|-------|
| Nominal heat efficiency [kW] lt. EN test EN 13229   | 12    |
| Heat output, minimum [kW] / Maximum heat output [kW]  | 6-16  |
| Energy efficiency category  | A+    |
| Combustion air requirement [m <sup>3</sup> /h]  | 30.6  |
| Circulating air cross-section without / with metal secondary heating surface [cm <sup>2</sup> ] | 700/- |
| Hypocausts according to technical regulations   | yes   |

## FEATURES

|              |     |
|--------------|-----|
| Sliding door | yes |
|--------------|-----|

## DATA FOR THE CHIMNEY SWEEP

|   |      |
|---|------|
| Total flue gas flow [g/s]                             | 11.4 |
| Flue gas temperature [°C]                             | 276  |
| Minimum feed pressure at nominal heat efficiency [Pa] | 12   |