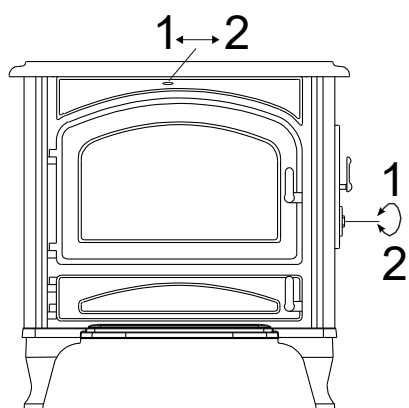
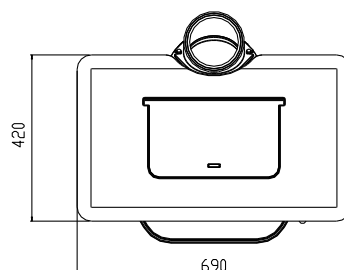
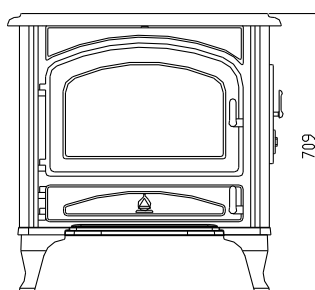
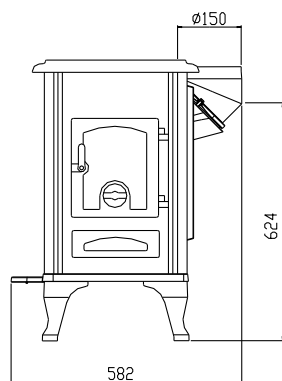


WIEN



AUSTROFLAMM



Dimensions and weight	
Height [mm]	709
Width [mm]	690
Depth [mm]	582
Combustion chamber width [mm]	510
Combustion chamber height [mm]	315
Combustion chamber depth [mm]	250
Baking compartment width [mm]	-
Baking compartment height [mm]	-
Baking compartment depth [mm]	-
Warming drawer, width [mm]	-
Warming compartment height [mm]	-
Warming drawer, depth [mm]	-
Dimensions, a (with Austroflamm elbow piece) [mm]	1277
Dimensions, b (with Austroflamm elbow piece) [mm]	667
Dimensions, c (with Austroflamm elbow piece) [mm]	870
Dimensions, d (with Austroflamm elbow piece) [mm]	33
Flue pipe outlet, diameter [mm]	150
Outside air connection diameter [Ø mm]	150
Weight, basic appliance [kg]	160
Weight Xtra [kg]	-
Weight, HMS [kg]	-
Total weight inc. steel case (STM) [kg]	160
Total weight inc. ceramic case (KGM) [kg]	-
Total weight inc. soapstone case (SPM) [kg]	-
a: Safety distance to combustible materials, front [mm]	1200
b: Safety distance to combustible materials, left [mm]	550
c: Safety distance to combustible materials, rear [mm]	500
d: Safety distance to combustible materials, right [mm]	650
Safety distance to combustible materials, floor [mm]	0
Minimum distance from non-flammable materials [mm]	50
Output	
Nominal heat efficiency [kW]	6.0
Minimum heat output [kW]	3.0
Maximum heat output [kW]	8.0
Minimum room heating capacity [m³]	65
Maximum room heating capacity [m³]	165
Energy efficiency class	A
Data for the chimney sweep	
Exhaust gas mass flow [g/s]	6.1
Flue gas temperature [°C]	314
Minimum delivery pressure at nominal heat output [Pa]	11
at 0.8 times nominal heat output [Pa]	10
Equipment	
Xtra heat storage technology	-
Heat Memory System	-
External air connection / operation independent of ambient air	No
Ash removal	Ash pan

- not available