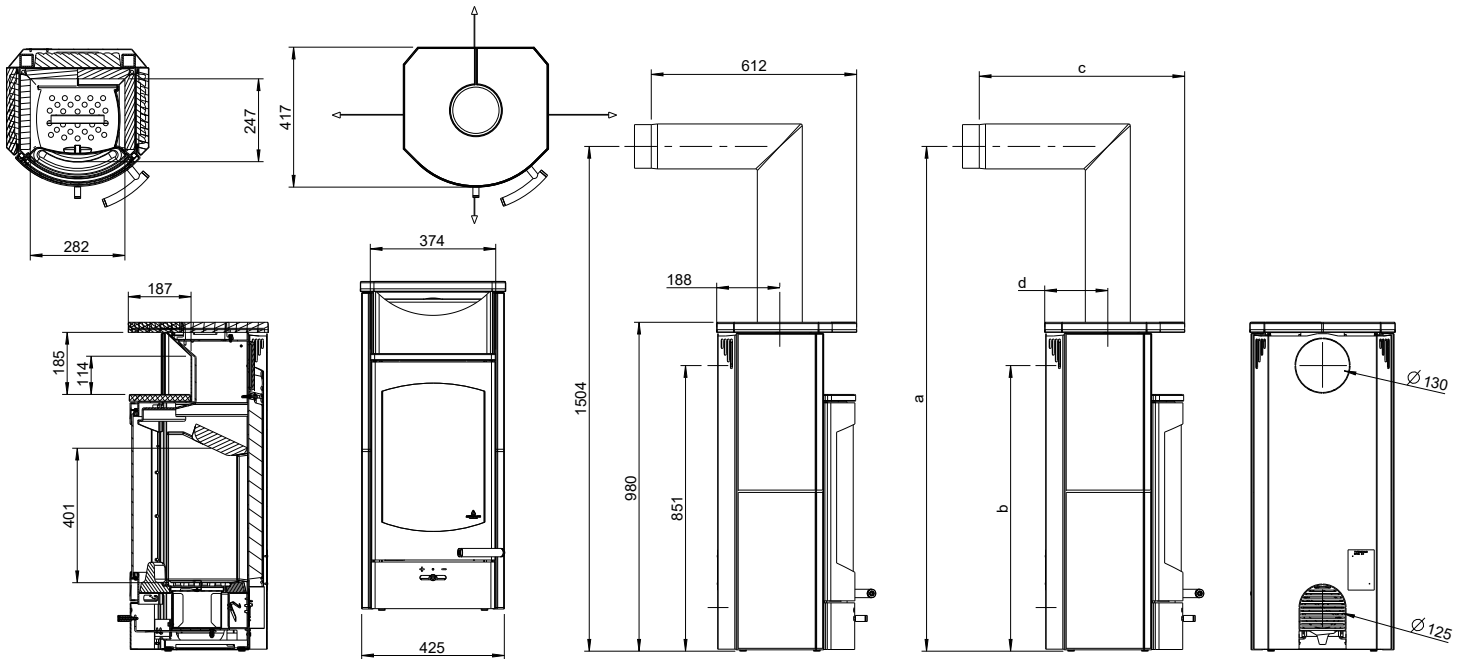


FLOK 2.0



Dimensions and weight	
Height [mm]	980
Width [mm]	425
Depth [mm]	417
Combustion chamber width [mm]	282
Combustion chamber height [mm]	401
Combustion chamber depth [mm]	247
Baking compartment width [mm]	-
Baking compartment height [mm]	-
Baking compartment depth [mm]	-
Warming drawer, width [mm]	374
Warming compartment height [mm]	185
Warming drawer, depth [mm]	187
Dimensions, a (with Austroflamm elbow piece) [mm]	1504
Dimensions, b (with Austroflamm elbow piece) [mm]	851
Dimensions, c (with Austroflamm elbow piece) [mm]	612
Dimensions, d (with Austroflamm elbow piece) [mm]	188
Flue pipe outlet, diameter [mm]	130
Outside air connection diameter [Ø mm]	125
Weight, basic appliance [kg]	78
Weight Xtra [kg]	-
Weight, HMS [kg]	53
Total weight inc. steel case (STM) [kg]	86
Total weight inc. ceramic case (KGM) [kg]	-
Total weight inc. soapstone case (SPM) [kg]	130
a: Safety distance to combustible materials, front [mm]	800
b: Safety distance to combustible materials, left [mm]	150
c: Safety distance to combustible materials, rear [mm]	100
d: Safety distance to combustible materials, right [mm]	150
Safety distance to combustible materials, floor [mm]	0
Minimum distance from non-flammable materials [mm]	50
Output	
Nominal heat efficiency [kW]	4.0
Minimum heat output [kW]	2.5
Maximum heat output [kW]	6.0
Minimum room heating capacity [m³]	34
Maximum room heating capacity [m³]	88
Energy efficiency class	A+
Data for the chimney sweep	
Exhaust gas mass flow [g/s]	3.92
Flue gas temperature [°C]	343
Minimum delivery pressure at nominal heat output [Pa]	12
at 0.8 times nominal heat output [Pa]	10
Equipment	
Xtra heat storage technology	-
Heat Memory System	Accessories
External air connection / operation independent of ambient air	Yes
Ash removal	Ash box

- not available